

G15 Connectors for internal tubes

One-stop connection solution

Low pressure test | Easy to replace | Automatic operation | Full range of models | Quick operation |
Diversified seal materials | Small size | Internal expansion for sealing

The G15 series pneumatic quick seal connector utilizes air pressure to inflate the seal and create an internal airtight connection with virtually any type of tube, which is ideal for high volume automated production testing.



High-efficient automatic connection solution

- * Pneumatic actuated, providing more stable pilot pressure
- * Instantaneous connection, suitable for smooth, rough, porous, threaded, and various irregular fittings
- * Seals material, exquisite and reliable, causing no damage to the product surface
- * Available for gripping-positioning applications for robotic manipulators, simple maintenance and replaceable seals, which significantly extends the service life of the connectors

Features of G15 series quick connectors

1. Pneumatic actuated

Air can be injected through the rear pilot hole to push the built-in piston and compress the seal to achieve tight sealing.

2. Automatic operation

Through the two mounting holes, the connector can be fixed to any actuator, realizing automatic operation with accuracy and reliability.

3. Straight-through test port

This port reduces the intermediate part, improves the sealing and keeps the flow high.

4. Stroke limiter

The build-in stroke limiter limits the maximum position of the piston, and prevents the seal from falling out due to overload.

G15 series quick connectors are available in multiple body sizes, ranging from 0 to 5, offering a sealing range of 8.5mm to 44mm.

Body sizes

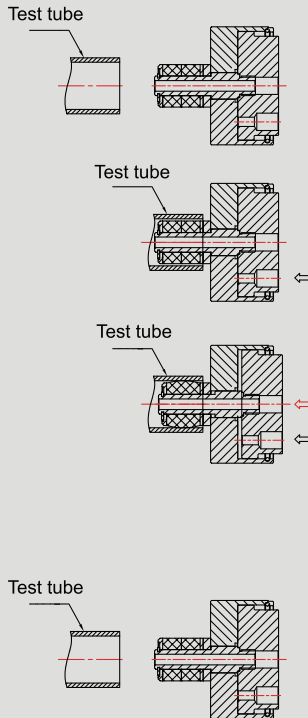


G15 Connectors for internal tubes

One-stop connection solution

Low pressure test | Easy to replace | Automatic operation | Full range of models | Quick operation |
Diversified seal materials | Small size | Internal expansion for sealing

Enable easier and reliable connections



Step 1:

Insert the test tube into test port of the G15 series, and secure the test tube and connector.

Step 2:

Introduce pilot pressure to pilot port. The seal is squeezed, creating expansion, which in turn clings to inner wall of test tube. In result, a leak tight seal is formed.

Step 3:

- Filling the test port with test medium upon the formation of the seal (such as compressed air, test fluid, etc.)
- After the test is completed, release the inner test pressure to atmospheric pressure, then remove the pilot pressure, the seal is no longer be squeezed, the seal connection release the test tube.

Step 4:

Once the above operations are completed, the test tube can be removed from the connector.

G15 quick connectors



G15 Connectors for internal tubes

One-stop connection solution

Low pressure test | Easy to replace | Automatic operation | Full range of models | Quick operation | Diversified seal materials | Small size | Internal expansion for sealing

Advantages of G15 quick connectors



Pneumatic actuated:
Good sealing and simple operation



Flexible customization:
Flexible clamping position to avoid space collisions



Quick seals replacement:
Simple maintenance & extended service life



Compact size:
Less operating space occupied & can be placed anywhere in the fixture



Automatic operation:
Higher efficiency & more consistent test results

Specifications of G15 quick connectors

Max operation pressure	From Vacuum to 8 Bar
Sealing range	8.5mm - 44mm
Minimize insert depth	BS0, BS1: 15mm BS3, BS4: 25mm
Termination port	1/8"BSPP, 3/8"BSPP
Material of main body	Aluminum alloy
Main seal	Neoprene/silicone
Internal seal	Buna-N
Pilot pressure	4-6 Bar
Operation temperature	-20°C - 120°C

The G15 system is designed to create a leak-free internal connection for a wide range of fittings by injecting the pilot pressure into the tail drive hole and forcing the piston forward, thereby squeezing the seal at the front end. G15 connectors are the perfect choice for high-volume automated production applications.

Test on cooling tube

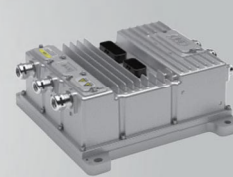
- Turbo
- Radiator
- Plastic port
- Fuel pump



Cooling tube in electric motor



Engine assembly test

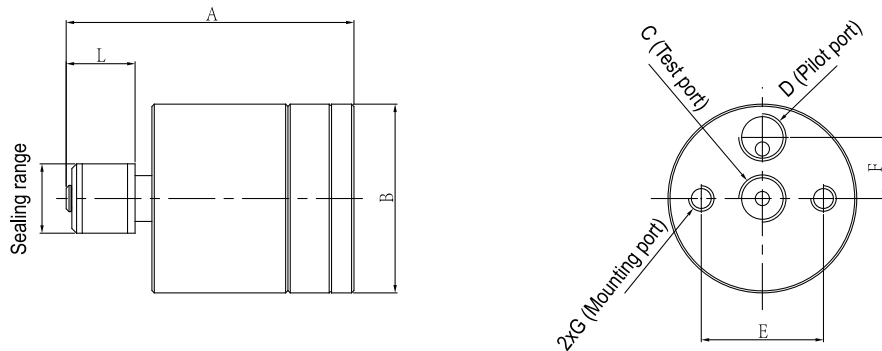


Motor controller

G15 Connectors for internal tubes

One-stop connection solution

Low pressure test | Easy to replace | Automatic operation | Full range of models | Quick operation |
Diversified seal materials | Small size | Internal expansion for sealing



Part Number	Sealing Range	Dim	Dim	Dim	Dim D	Dim	Dim	Dim G	Dim L	Main Seals Package**
G15-0080	8.0 - 8.5	50.4	33.5	M5	M5	20.3	10	M5	12.2	SG150080
G15-0085	8.5 - 9.5									SG150085
G15-0095	9.5 - 10.5									SG150095
G15-1100	10.5 - 11.5	61.8	40	1/8"BSPP	1/8"BSPP	25.9	13	M6	14.5	SG151100
G15-1110	11.5 - 12.5									SG151110
G15-1120	12.5 - 13.5									SG151120
G15-1130	13.5 - 14.5									SG151130
G15-1140	14.5 - 15.5									SG151140
G15-1150	15.5 - 17.0									SG151150
G15-2160	17.0 - 18.0									61.8
G15-2170	18.0 - 19.0	SG152170								
G15-2180	19.0 - 20.0	SG152180								
G15-2190	20.0 - 21.0	SG152190								
G15-2200	21.0 - 22.0	SG152200								
G15-2210	22.0 - 23.0	SG152210								
G15-3220	23.0 - 24.0	63.6	60	1/8"BSPP	1/8"BSPP	40.6	18.3	M6	24.5	
G15-3230	24.0 - 25.0									SG153230
G15-3240	25.0 - 26.0									SG153240
G15-3250	26.0 - 27.0									SG153250
G15-3260	27.0 - 28.0									SG153260
G15-3270	28.0 - 29.0									SG153270
G15-4280	29.0 - 30.0									63.6
G15-4290	30.0 - 31.0	SG154290								
G15-4300	31.0 - 32.0	SG154300								
G15-4310	32.0 - 33.0	SG154310								
G15-4320	33.0 - 34.0	SG154320								
G15-4330	34.0 - 35.0	SG154330								
G15-5340	35.0 - 37.0	93.5	88.5	3/8"BSPP	1/8"BSPP	58.7	29.4	M8	31.3	
G15-5350	36.0 - 38.0									SG155350
G15-5370	38.0 - 40.0									SG155370
G15-5390	40.0 - 42.0									SG155390
G15-5400	41.0 - 43.0									SG155400
G15-5420	43.0 - 45.0									SG155420

1. Nonstandard models of G15 quick connectors include: larger dimensions (up to 80mm), longer center rod, larger OD of the termination port, shorter seal thickness, etc.

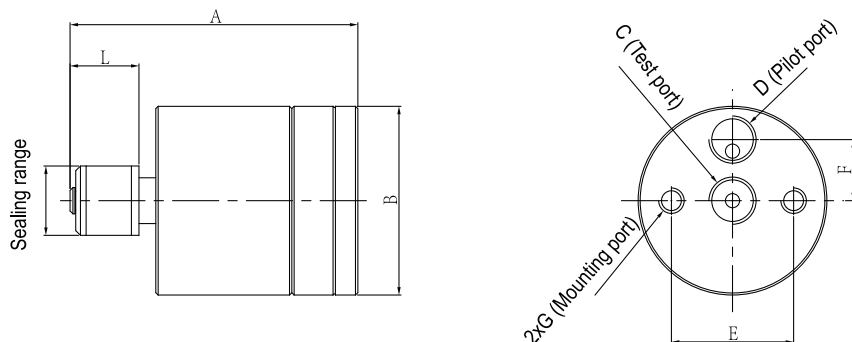
2. Customized models of G15 quick connectors include: sealing various threads, smaller volumes, complex shapes, etc.

Please contact your local distributor or GripSeal sales representative for more information.

G15RC Connectors for internal tubes (BSPT threads)

One-stop connection solution

Low pressure test | Easy to replace | Automatic operation | Full range of models | Quick operation | Diversified seal materials | Small size | Internal expansion for sealing



Part Number	Sealing Range	Dim	Dim B	Dim C	Dim	Dim	Dim F	Dim G	Dim L	Main Seals Package**
G15RC-1100	10.5 - 11.5	61.8	40	1/8"BSPT	25.9	13	M6	14.5	SG151100	
G15RC-1110	11.5 - 12.5								SG151110	
G15RC-1120	12.5 - 13.5								SG151120	
G15RC-1130	13.5 - 14.5								SG151130	
G15RC-1140	14.5 - 15.5								SG151140	
G15RC-1150	15.5 - 17.0								SG151150	
G15RC-2160	17.0 - 18.0	61.8	40	1/8"BSPT	25.9	13	M6	14.5	SG152160	
G15RC-2170	18.0 - 19.0								SG152170	
G15RC-2180	19.0 - 20.0								SG152180	
G15RC-2190	20.0 - 21.0								SG152190	
G15RC-2200	21.0 - 22.0								SG152200	
G15RC-2210	22.0 - 23.0								SG152210	
G15RC-3220	23.0 - 24.0	63.6	60	1/4"BSPT	1/8"BSPT	40.6	18.3	M6	24.5	SG153220
G15RC-3230	24.0 - 25.0									SG153230
G15RC-3240	25.0 - 26.0									SG153240
G15RC-3250	26.0 - 27.0									SG153250
G15RC-3260	27.0 - 28.0									SG153260
G15RC-3270	28.0 - 29.0									SG153270
G15RC-4280	29.0 - 30.0	63.6	60	1/4"BSPT	1/8"BSPT	40.6	18.3	M6	24.5	SG154280
G15RC-4290	30.0 - 31.0									SG154290
G15RC-4300	31.0 - 32.0									SG154300
G15RC-4310	32.0 - 33.0									SG154310
G15RC-4320	33.0 - 34.0									SG154320
G15RC-4330	34.0 - 35.0									SG154330
G15RC-1120-250*	13.0 - 14.0	86.8	40	1/8"BSPT	1/8"BSPT	25.9	13	M6	14.5	SG151120
G15RC-2180-500*	19.0 - 20.0	111.8								SG152180
G15RC-3260-750*	27.0 - 28.0	138.6								60
G15RC-4280-500*	29.0 - 30.0	113.6	SG154280							

Note: The asterisk (*) means that extended shaft versions are available, where H is an integer multiple of 25 mm, and the maximum value of H is 150 mm.

1. Nonstandard models of G15RC quick connectors include: larger dimensions (up to 80mm), longer center rod, larger OD of the termination port, shorter seal thickness, etc.
2. Customized models of G15RC quick connectors include: sealing various threads, smaller volumes, complex shapes, etc. Please contact your local distributor or GripSeal sales representative for more information.